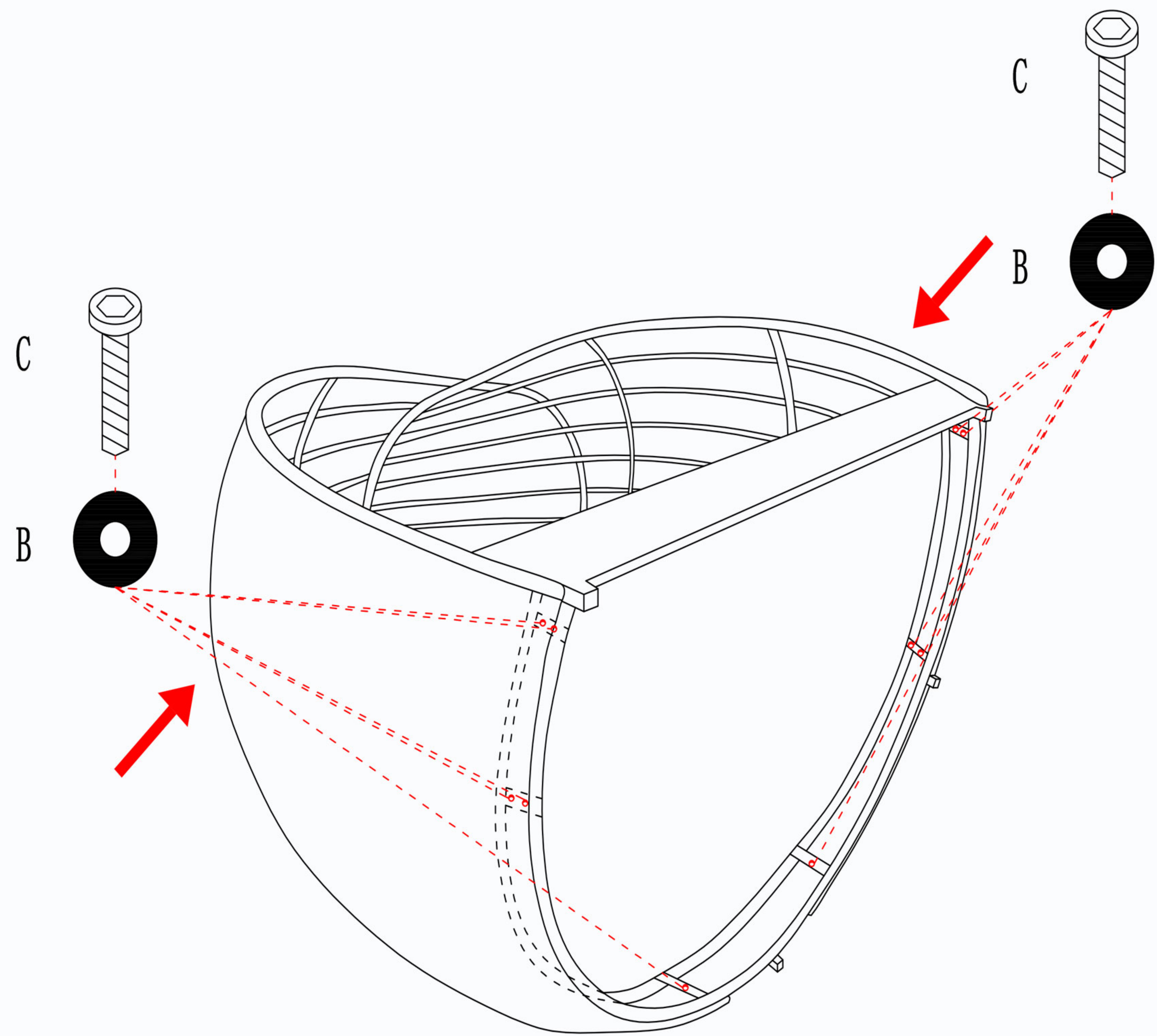


Part Named/Qty 部 件 名 称/数 量		
A	 Wrench 扳手	1
B	 Shim 垫片	11
C	 45mm screw 45高螺丝	10
D	 60mm screw 60高螺丝	1

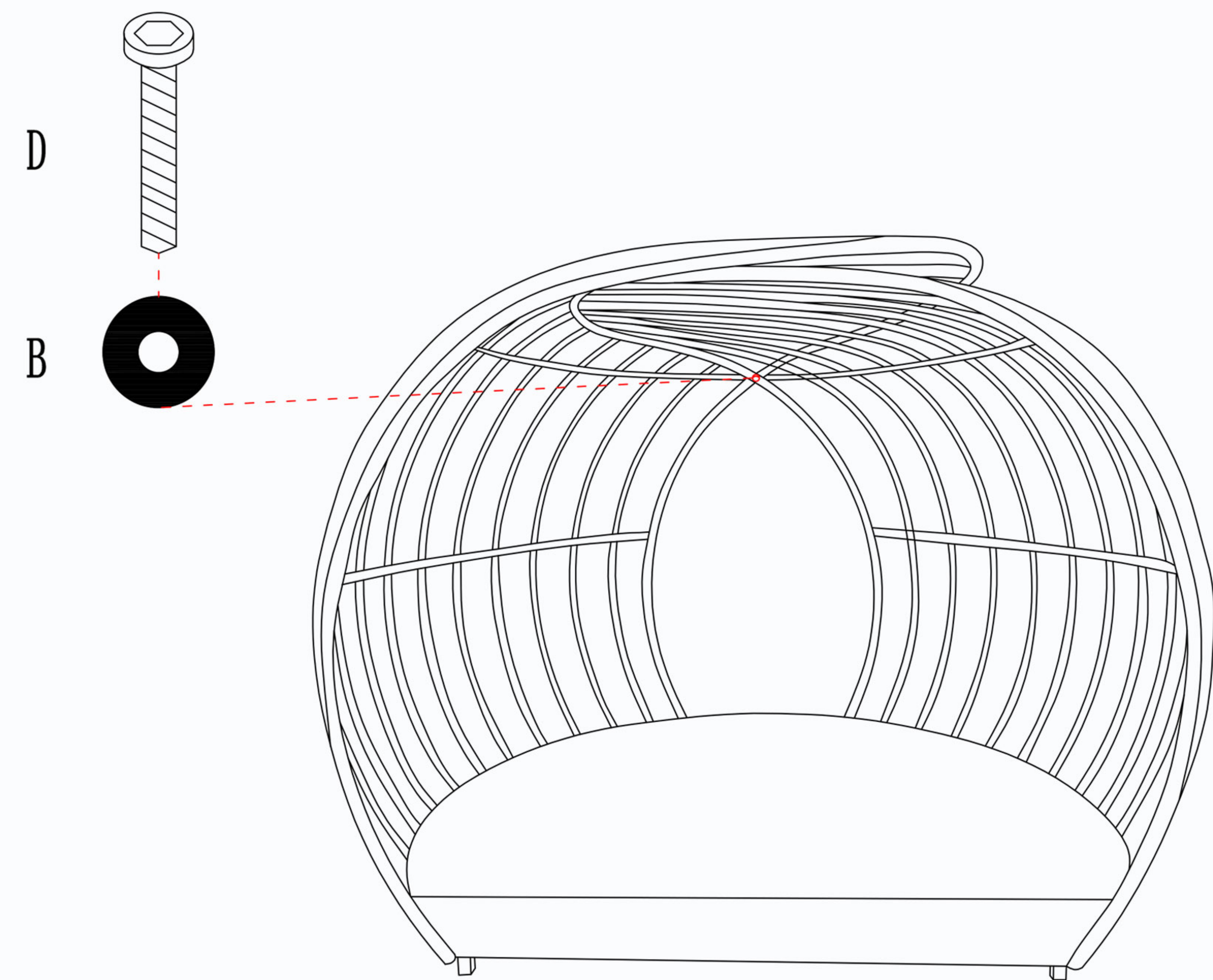
The installation drawing

Installing sequence :

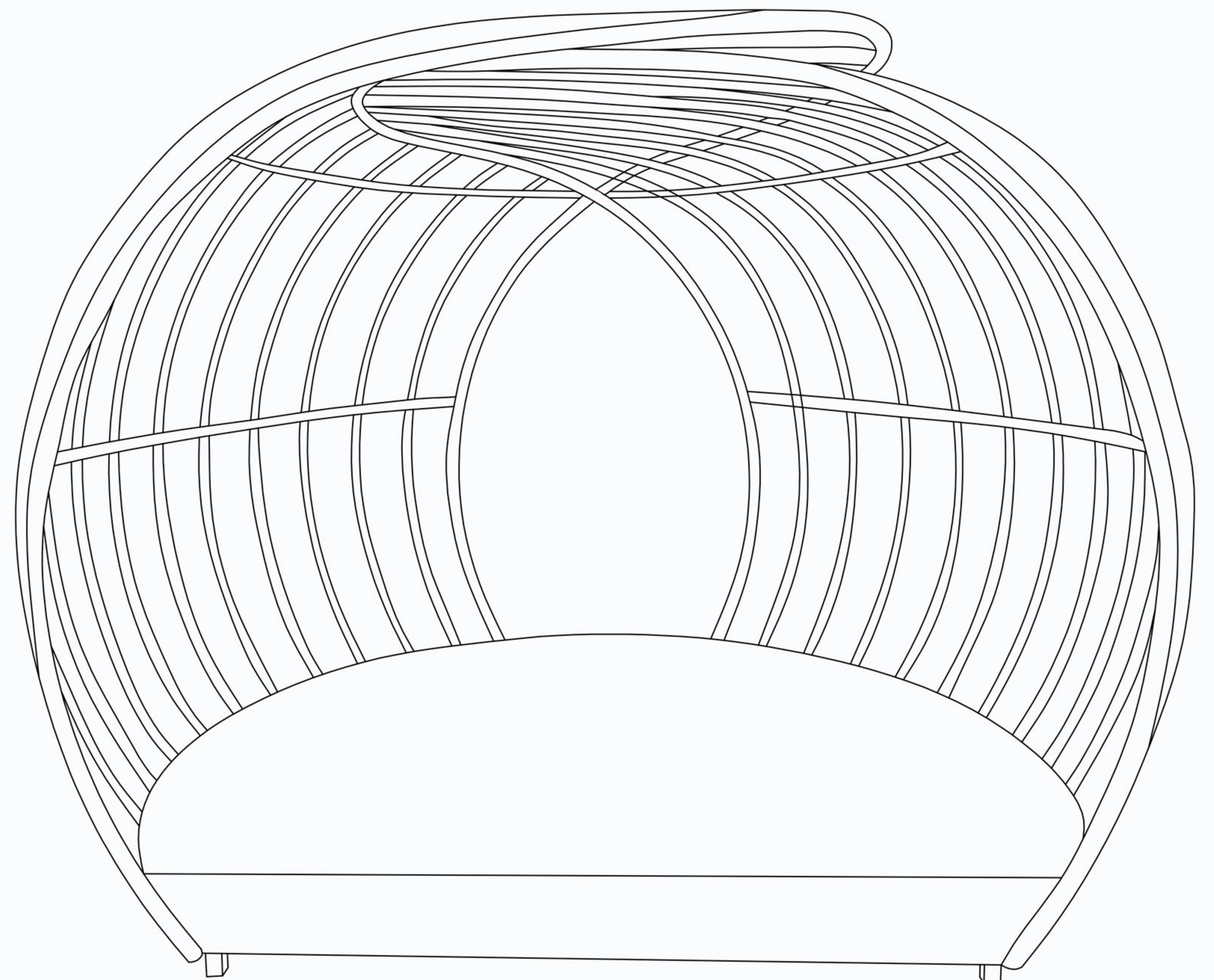
**1** → **2** → **3**



**1** Screwing up all the screws tightening



**2** Screwing up all the screws tightening



**3** Completed product